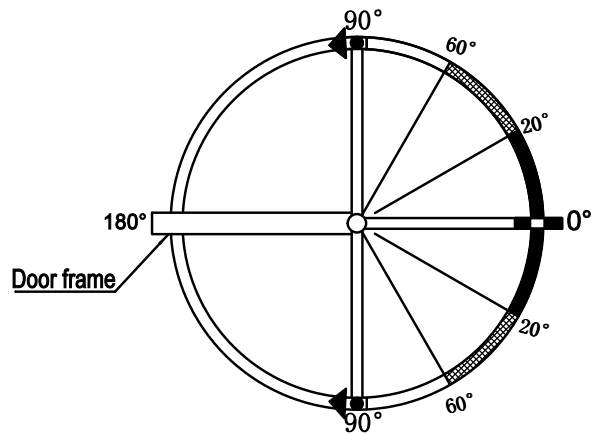


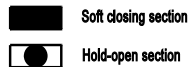
Hydraulic glass door hinge

Instruction manual

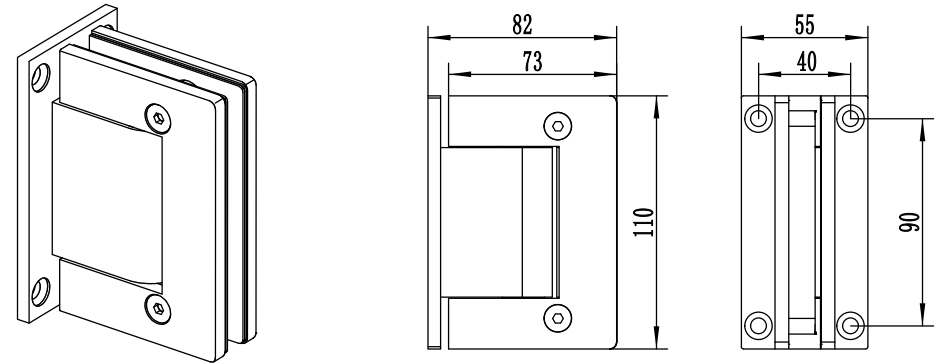


Features:

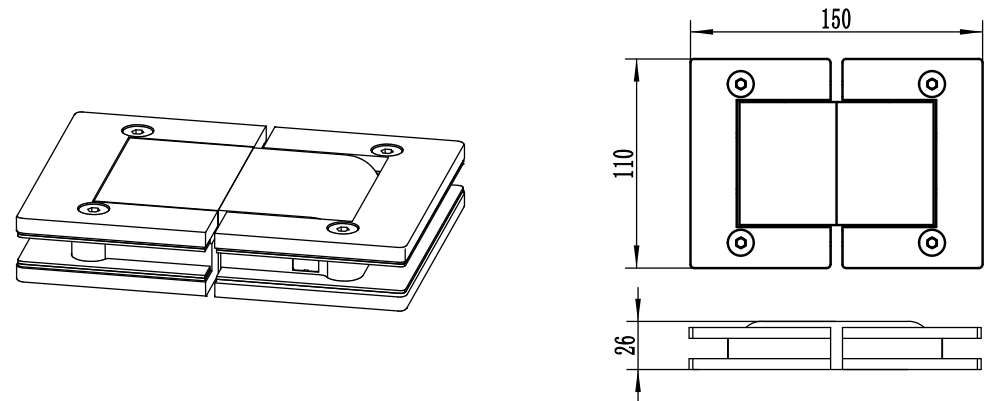
1. Soft closing: 20°-0° (adjust by valve2)
2. Soft closing: 60°-20° (adjust by valve 1)
3. Fast closing: 90°-60°
4. HO (Hold-open: 95°-90°)
NH (No hold open)



Model	Glass thickness(mm)	Gasket usage	Max.load capacity (kg)	Overall dimension (mm)
G-G	8	4	60	150×110×26
	10	4		
G-W	12	2		82×110×26
	14	2		

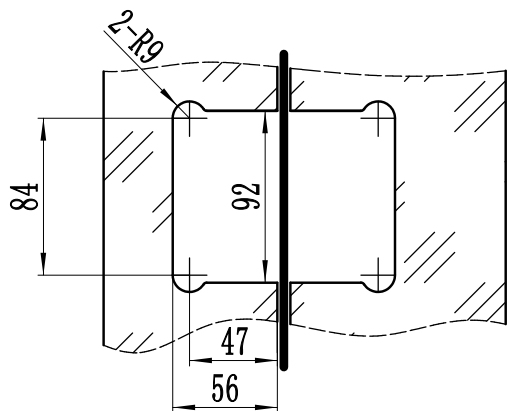


90° Glass-Wall

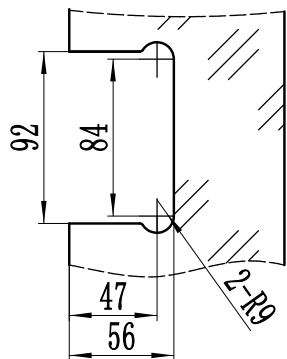


180° Glass-Glass

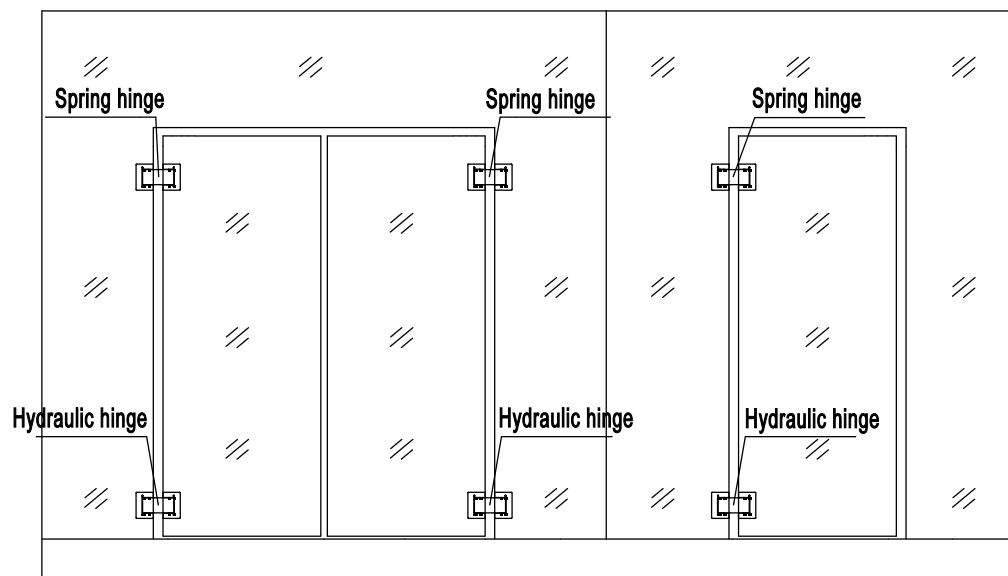
Glass cutouts:



Glass-Glass

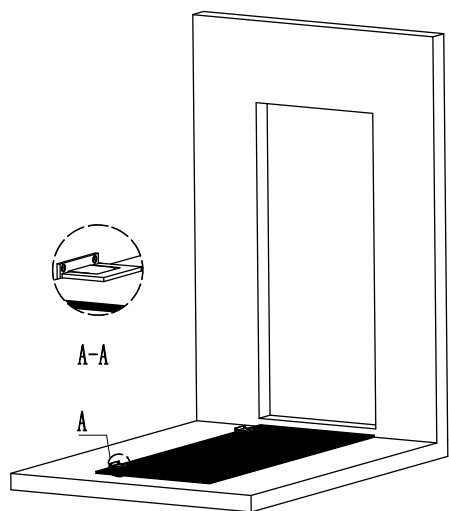


Glass-Wall

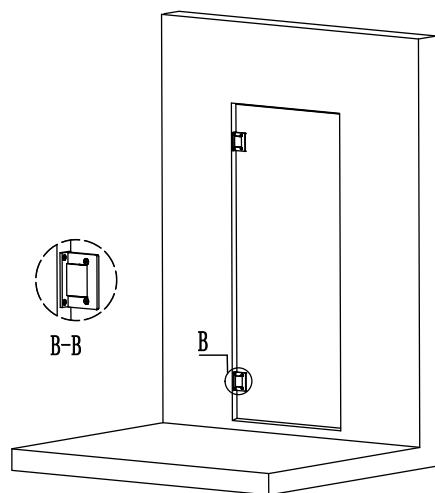


Each pair of hinge consists of a spring hinge and a hydraulic hinge, the hydraulic hinge should always be installed below the spring hinge.

Installation steps:

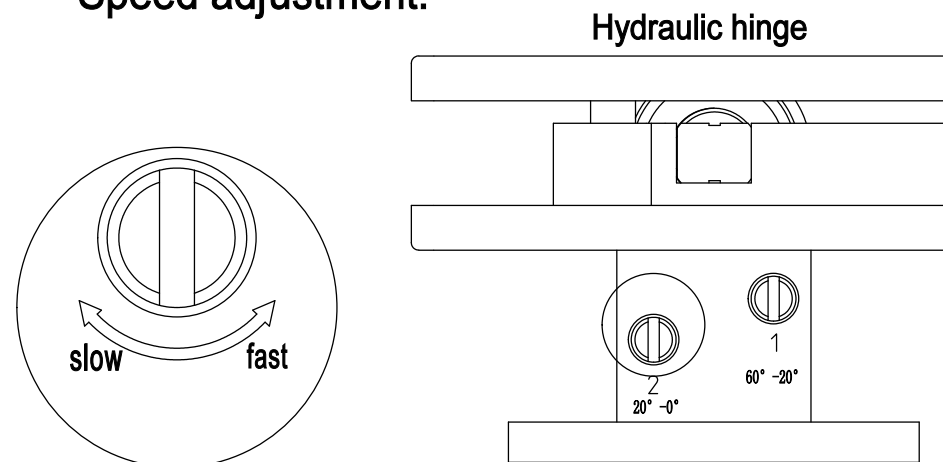


Step 1:
Fix the hinge onto the glass door, use suitable gaskets



Step 2:
Fix the hinge mounted glass door to the sidepanel

Speed adjustment:



1. Fully tighten the No1 and No2 speed adjusting valves
2. Loose the No1 and No2 valves by 1/4 turn .
3. Adjust the No2 valve to ideal closing speed
4. Adjust the No1 valve to ideal closing speed
5. It's suggested to turn no more than 1/4 turn each time you adjust the valves.

Notice:

Do not loose the speed adjustment screws completely out to ensure the proper functions and original factory maintenance.